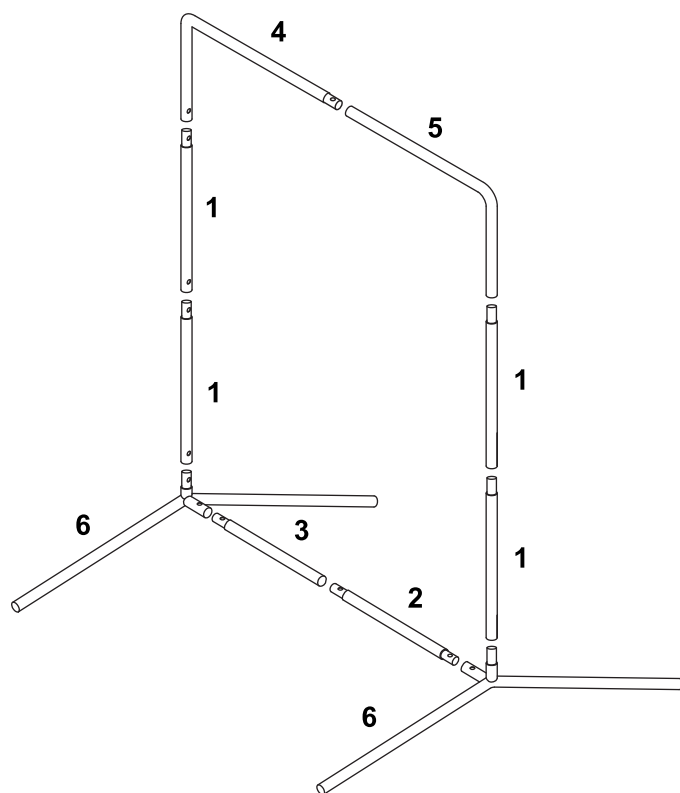


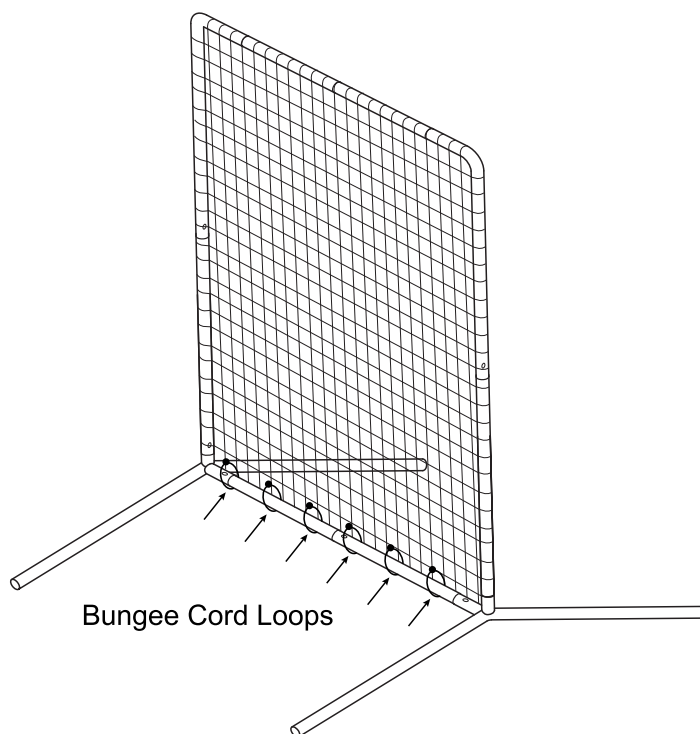
- PARTS INCLUDED:**
- 2 L shaped bars (4 & 5)
 - 6 Straight bars (1, 2 & 3)
 - 2 Support legs (6)
 - 1 Envelope screen
 - 6 Bungee cord loops
 - 4 Stakes
 - 4 End-caps

ASSEMBLY INSTRUCTIONS:

- 1.** Assemble the frame as shown in the diagram. The parts secure together with push pins. Insert end caps at the ends of the support legs.



- 2.** Pull the envelope screen over the frame. Secure bottom of screen to the frame with bungee cord loops (included) as shown.



- 3.** Use stakes provided to secure frame to the ground.

FOR STORING OR TRANSPORT:

- 1.** Remove bungee cord loops **2.** Remove envelope screen **3.** Disassemble the frame

Stock #: NB175

Made in China by CHAMPRO Sports® C760
Division of Wilson Hunt International, Ltd., Wheeling, IL

NEED HELP? Live support: 847-279-2600
Email: help@champrosports.com